

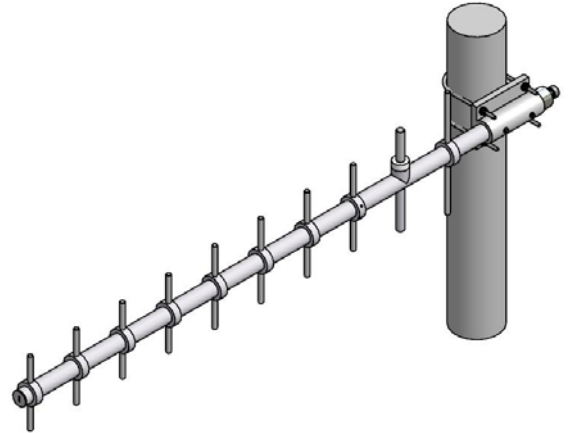
TRS YAGI Antenna

806~866 MHz / 10 dBi



YG-10E-TRS

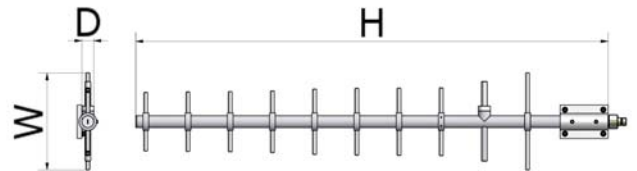
i. Electrical Specification

Frequency Range	806~866 MHz	
Polarization	Vertical	
Band Width	60 MHz	
Gain	≥ 10 dBi	
Beam width	Horizontal	≥ Nominal 41°
	Vertical	≥ Nominal 37°
F-B ratio	≥12	
VSWR	1 : 1.5	
Impedance	50 Ω	
Maximum input power	200 W	

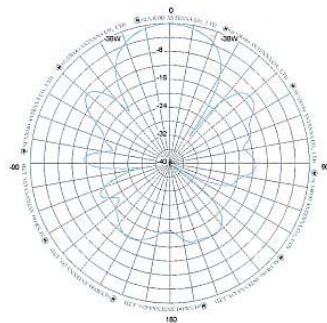


ii. Mechanical Specification

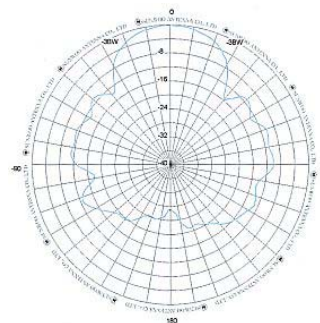
Radom Dimension (H x W x D)	1110 x 180 x 50 mm	
Weight (Include bracket)	≤ 2 kg	
Connector Type	N-Female	
Withstand Wind Pressure	60 m/sec	
Radome Material	AL	
Radome Color	 Cool Gray 1C	 Cool Gray 4C
Mechanical Down Tilt	-	
Temperature	-40 °C ~ 70 °C	
Packing Size (H x W x D) 10SET	-	
Packing Weight 10SET	-	



iii. Radiation Pattern



Horizontal Pattern



Vertical Pattern